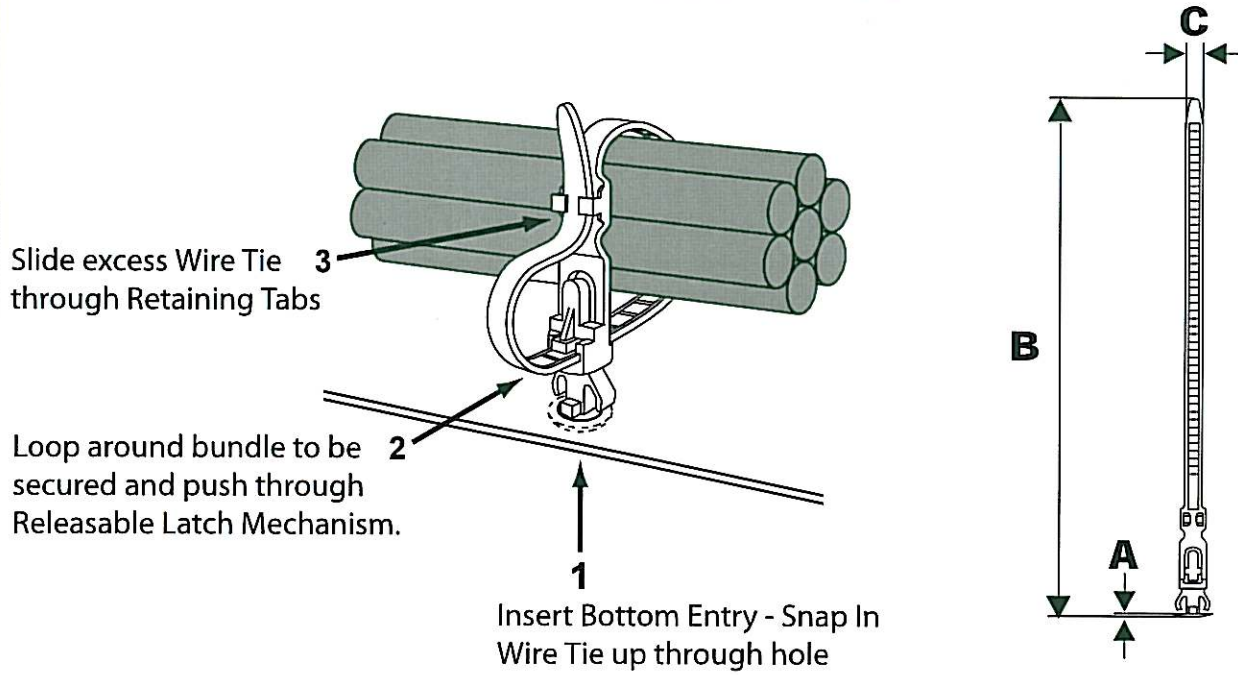


New Product Innovations

Bottom Entry - Snap In Wire Tie



Part Number	Part Description	Material	Dimensions (in)		
			A	B	C
1955-00	Bottom Entry Snap-In Wire Tie	Nylon 6/6 Black	0.04	6.62	0.20

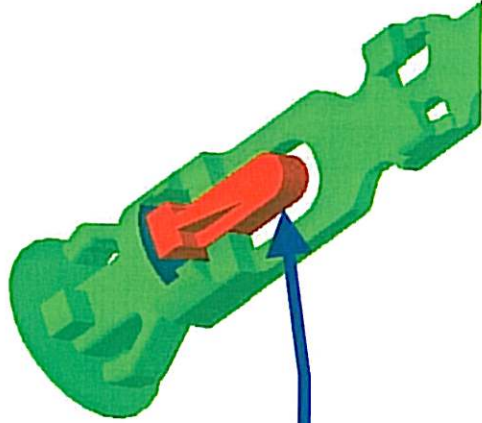
Features:

- ★ Button Head offers a finished, low Profile look.
- ★ Latch Mechanism allows strap to be released and reinserted for multiple uses.
- ★ Retaining tabs secure unused strap eliminating the need to cut off excess.
- ★ Snaps into a 3/8" dia. hole in a .045" - .100" Thick Panel.
- ★ Secures bundles up to 1.75" in Diameter.

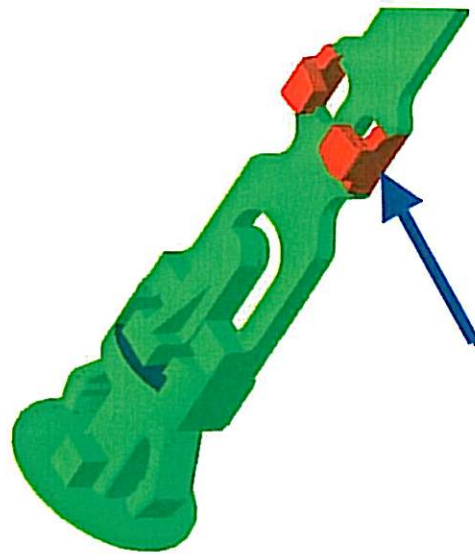
195 E. Algonquin Road
Des Plaines, IL 60016
Phone: 847 299-2222
Fax: 847 390-8727
E-mail: sales@itwfastex.com

ITW Fastex®
www.itw-fastex.com

Low Profile
Clandestine Head
.040" Thick

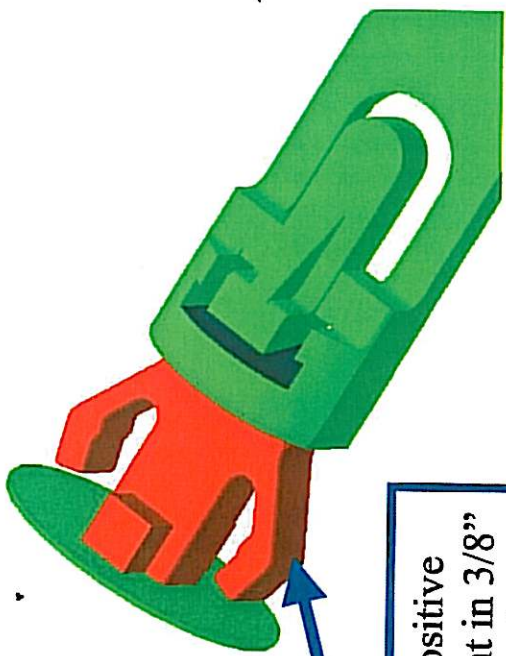


Latch Mechanism
Allows Re-adjustments
to Bundle Flexible
Multiple Usage

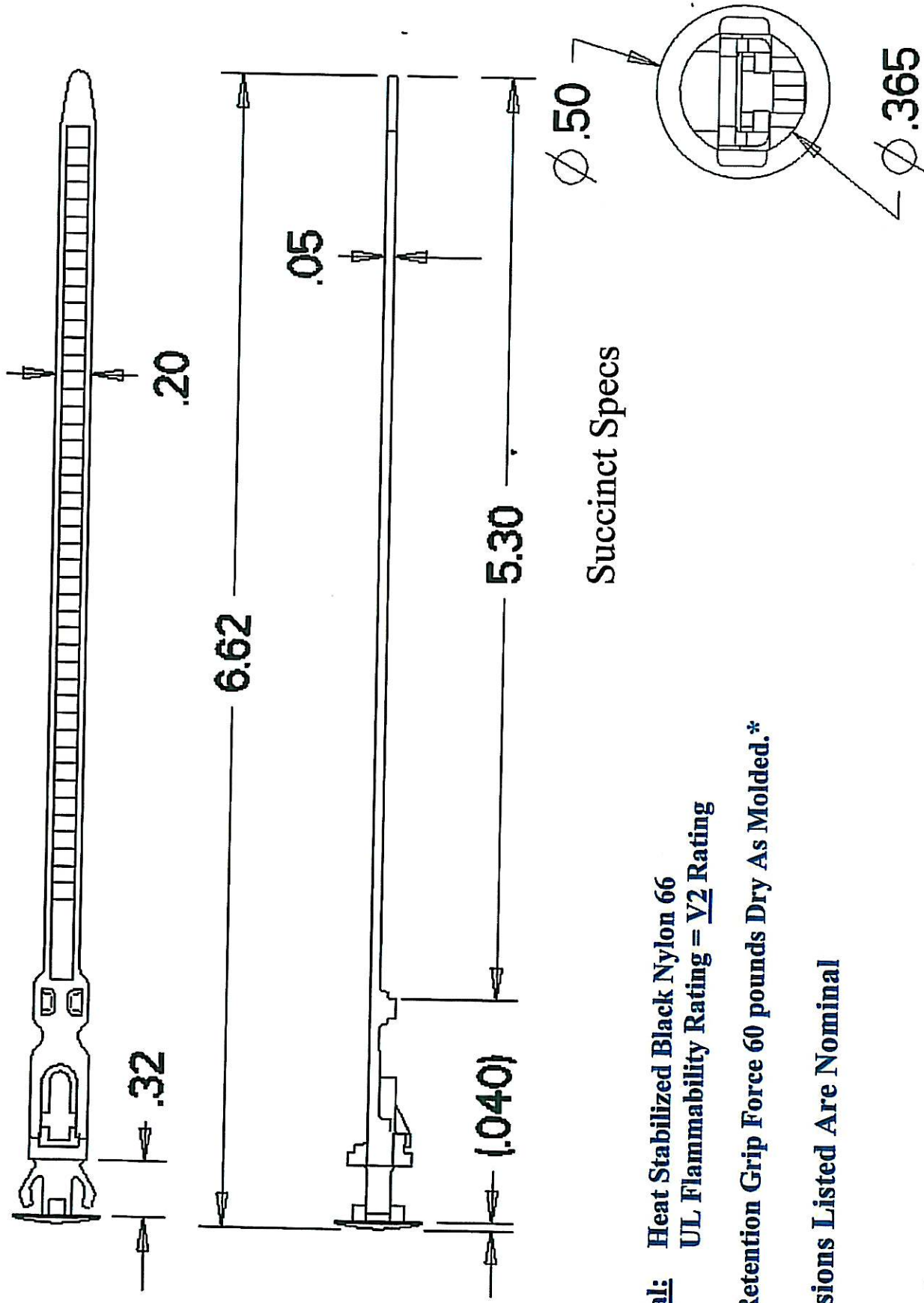


Strap Encapsulating Tabs to
Capture Unused Strap to Keep
Bundles Orderly

Bundle Capacity:
1.75" Max Diameter



Catch Feature Ensures Positive
Self-Locking Engagement in 3/8"
Diameter Hole within Panels
between .045"-.100" Thick



Succinct Specs

Material: Heat Stabilized Black Nylon 66
UL Flammability Rating = V2 Rating

Latch Retention Grip Force 60 pounds Dry As Molded.*

Dimensions Listed Are Nominal

***Note:** Stated performance values represent typical values only. They are designed as a guideline for end users and are not specification values. Force data recorded was in 'out of mold dry' condition with pull forces in perpendicular configuration. Users should conduct their own tests under specific actual conditions to determine the suitability of the Bottom Entry – Snap In Wire Tie for specific applications.